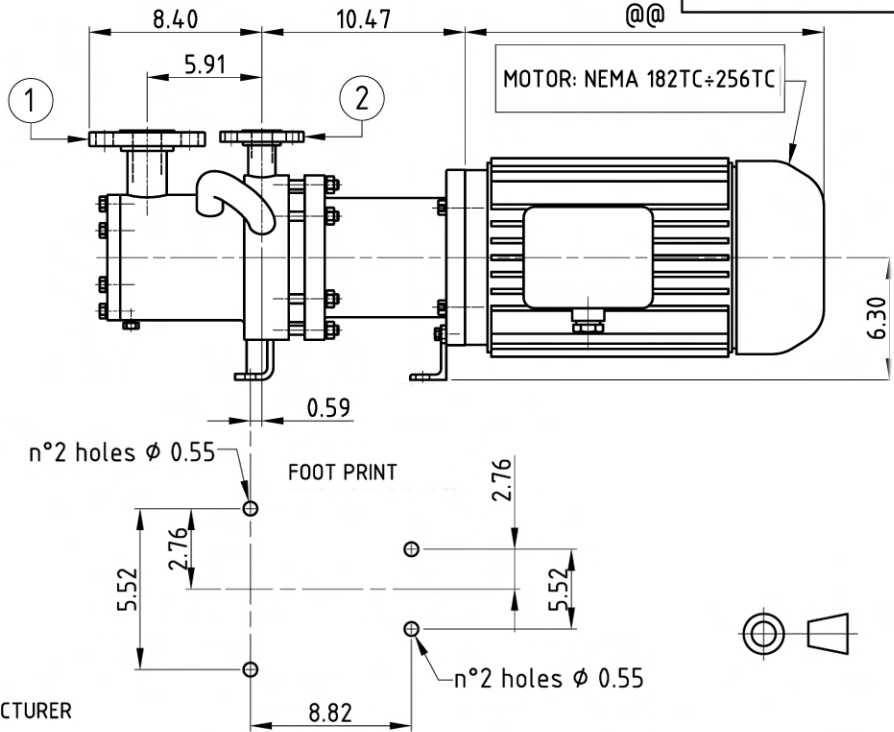
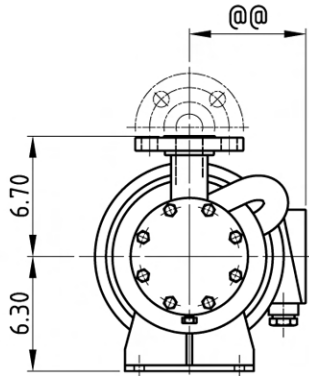


dimensions in inches



@@) CHANGES ACCORDING TO MOTOR MANUFACTURER

PRELIMINARY DRAWING

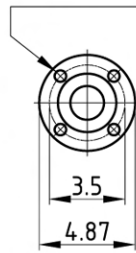
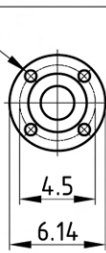
FLANGES ANSI 300 LB-RF

WEIGHT (Lbs)

① n°4 holes ø 0.87      ② n°4 holes ø 0.75

PUMP      MOTOR      TOTAL

156      @@      -



SUCTION  
DN 1½

DISCHARGE  
DN 1

DIMENSIONS WITHOUT TOLERANCE		NOT QUOTED RADIUS BEVEL EDGE	SCALE		MATERIAL SPECIFICATIONS		
ACCURACY DEGREE	Js13	R=			DESIGNATION	EXTRACTED FROM	TERMIC AND/OR SURFACE TREATMENT
UNI-ISO STANDARD	2768	sm=					
SUBSTITUTE OF			DATE	SIGNATURE			
SUBSTITUTED BY			DATE	SIGNATURE	N.PATTERN	RAW WEIGHT	
DRAWN BY	CHECKED BY	APPROVED BY	DWG. TYPE	SIZE	N.MASK	MACHINED WEIGHT	
NAME			CAD	A4	MACHINE	WMTA6-LN 2S	
DATE							



**WARRENDER, LTD.**  
Seal-less Mag Drive Pumps  
From Stock or Built-to-Spec™

SUBJECT **GENERAL ARRANGEMENT**

DWG N. **RSGR5271**

REV. **A**